



**BLUMENBECKER**

WE DELIVER SOLUTIONS

AUTOMATION TECHNOLOGY **ENGINEERING** INDUSTRIAL TRADE INDUSTRIAL SERVICE TECHNICS

## PALLETIZING

- | Pre-engineering
- | Simulation and concept verification
- | Mechanical and electrical design and assembly
- | Software preparation and testing
- | Integration and commissioning
- | Production ramp-up and optimization
- | Production support
- | Service support

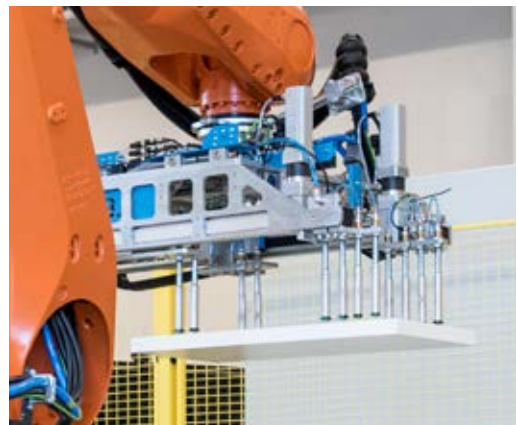


# PALLETIZING – FAST AND RELIABLE

## FLEXIBLE AND MULTI-PRODUCT PALLETIZING SYSTEMS – NEW REQUIREMENTS AND NEW SOLUTIONS

Blumenbecker Engineering is a dynamic company specialising in integration of automated manufacturing systems and palletizing lines. Blumenbecker palletizing systems are characterized by their flexibility, supporting multi-product, customizable palletizing schemes on one production line – systems that are used, e.g., in the furniture industry.

The possibility to **handle multiple products** enables you to **execute several orders** at the same time, to quickly adapt to current **market trends** and to gain a competitive edge. In our **client-centered solutions**, we apply state of the art engineering standards and components while reducing investment costs.



# 1

## ANALYSIS

Analysis of functional requirements and the objectives a client wants to achieve.

# 2

## DESIGN

Mechanical project: technological transport, buffers, manipulators, robots and grippers.  
Electrical project: control system, frequency converters, drives, visualization and safety.

# 3

## ASSEMBLY

Selection of robots and additional machinery performing further palletizing processes – e.g. carton forming machines, labeling machines, wrapping or stretch hood machines, overlapping corners.

# 4

## SOFTWARE

Preparation of software for PLC, HMI, robots and integration of IT systems used by the client.

# 5

## INTEGRATION & COMMISSIONING

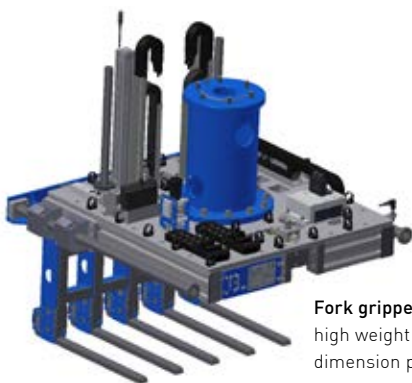
Integration of all components into a functioning system.



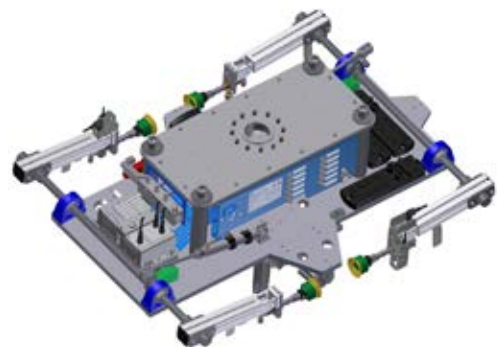
## AUTOMATED PALLETIZING – CUSTOMER BENEFITS

- | Increasing production volume
- | Maintaining a high level of product quality
- | Assuring on-time deliveries to customers
- | Optimizing production and warehouse space
- | Supporting several types and ranges at one time

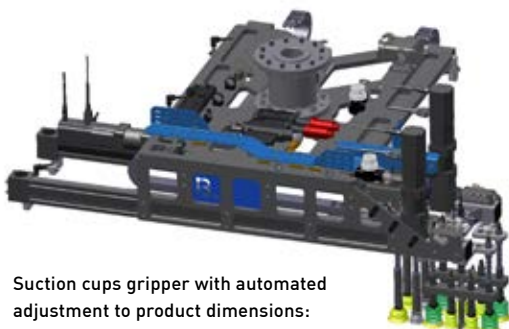
### Samples of grippers for different applications



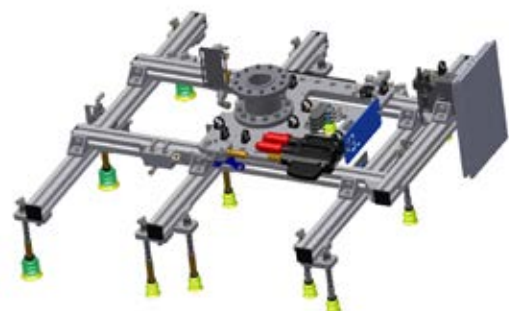
**Fork gripper:**  
high weight and large  
dimension products



**Multifunction gripper, dedicated to specific client solution:**  
special products



**Suction cups gripper with automated  
adjustment to product dimensions:**  
variety of product dimensions



**Suction cups gripper:** irregular shapes and large surfaces

WE LOOK FORWARD TO  
**HEARING FROM YOU.**

**Blumenbecker Engineering LLC**

Trautenaustraße 10, 38114 Braunschweig, Germany  
T: +49 531 48207-0, F: +49 531 48207-105

**Blumenbecker IPS Polska Sp. z o.o.**

ul. Ligocka 103, 40-568 Katowice, Poland  
T: +48 32 2787080, F: +48 32 2787083

[robotics@blumenbecker.com](mailto:robotics@blumenbecker.com), [www.robotics.blumenbecker.com](http://www.robotics.blumenbecker.com)